



汽油机零部件图册

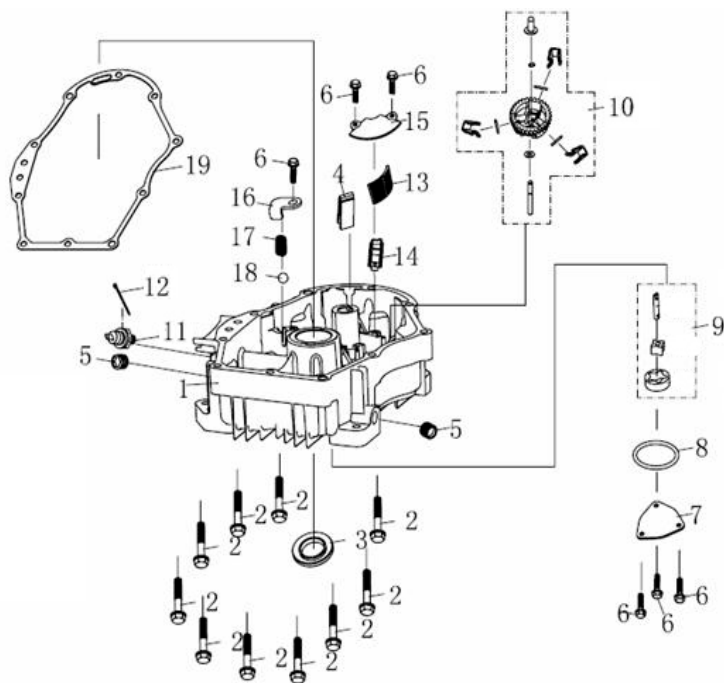
PART CATALOGUE

LC2P82F



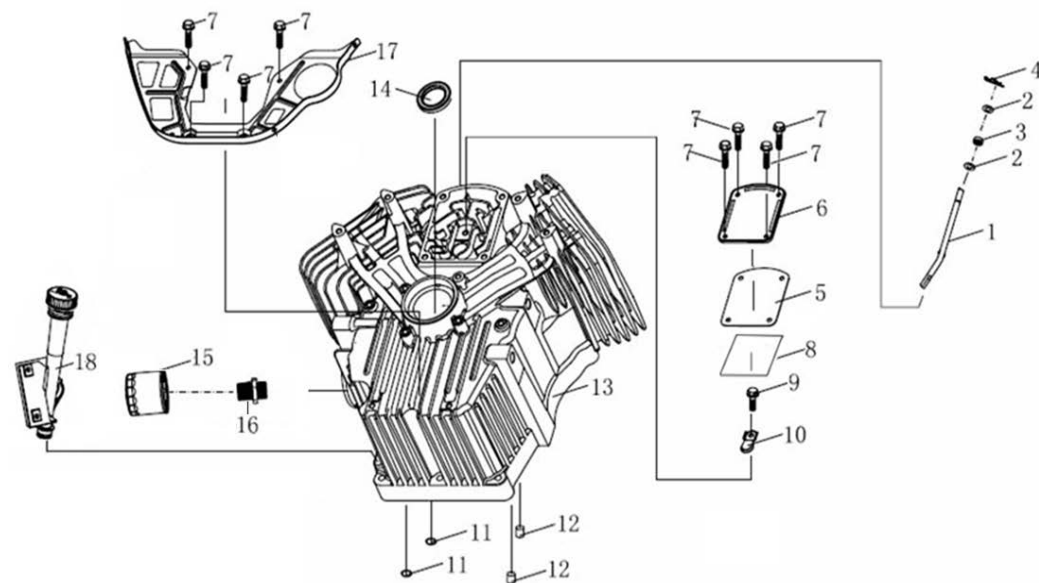
隆鑫通用动力股份有限公司

LONCIN MOTOR CO.,LTD.



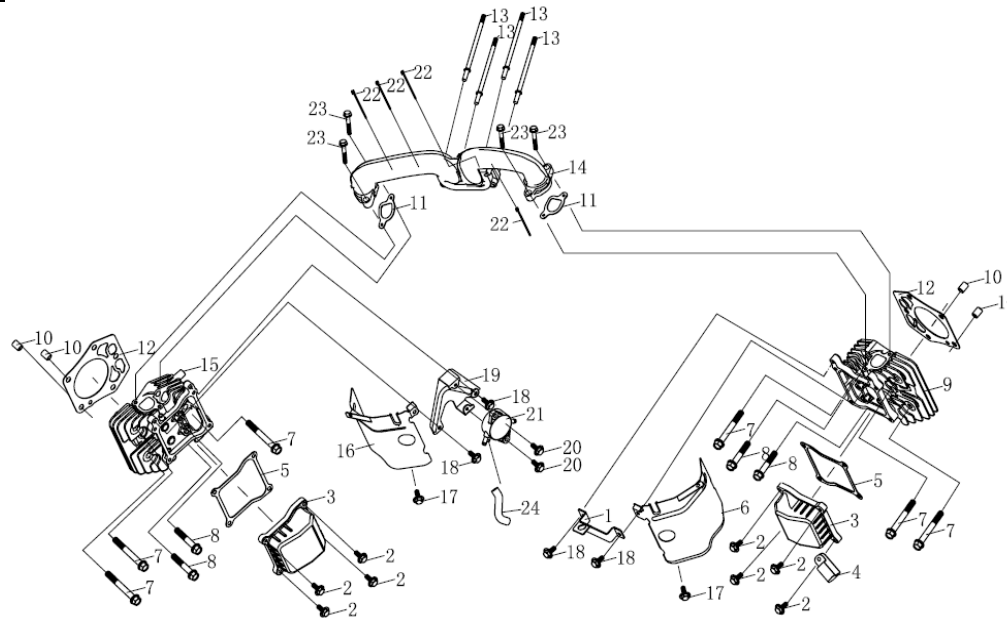
箱盖 (Crankcase Cover)

序号	零部件图号	零部件名称	Description	规格状态	数量	单位	易损属性
No.	Part No.				Reqd. QTY	UNIT	CONSUMABLE GRADE
1	110820172-0001	曲轴箱盖	Crankcase cover	T390_优化结构;	1	件/PIECES	C
2	380140338-0001	六角头法兰面螺栓	Hexagon bolt with flange	T030_M8_L=55;镀蓝白锌Q16	10	件/PIECES	C
3	380650436-0001	油封	Oil seal	T390_d=35_D=62_b=8_氟橡胶VITON;	1	件/PIECES	B
4	150570003-0001	机油回油块	Engine oil return block	T370;	1	件/PIECES	A
5	110260026-0001	密封螺塞	Sealing plug screw	T370_3/8-18NPTF;氧化Q07	2	件/PIECES	C
6	380140013-0005	六角头法兰面螺栓	Hexagon bolt with flange	GB/T 5789_M6_L=16;镀蓝白锌Q16	6	件/PIECES	C
7	150040025-0001	油泵盖	Oil pump cover	T390;	1	件/PIECES	C
8	380840665-0001	密封圈	Seal ring	T390_D=47_d=3.5;	1	件/PIECES	A
9	150010084-0001	机油泵部件	Components of oil pump	T400;	1	套/SETS	B
10	171750035-0002	调速齿轮部件	Components of governor gear	T400;取消平垫圈	1	套/SETS	B
11	283690002-0001	油位报警器	Oil level alarm	T390;	1	件/PIECES	B
12	380900196-0001	箍带	Strap	T381_L=100_固定波纹管用;黑色	1	件/PIECES	A
13	150290019-0001	机油滤网	Engine oil Strainer	T390;	1	件/PIECES	B
14	120530005-0001	油道压板	Pressing plate for oil groove	T390_机油挡板;	1	件/PIECES	A



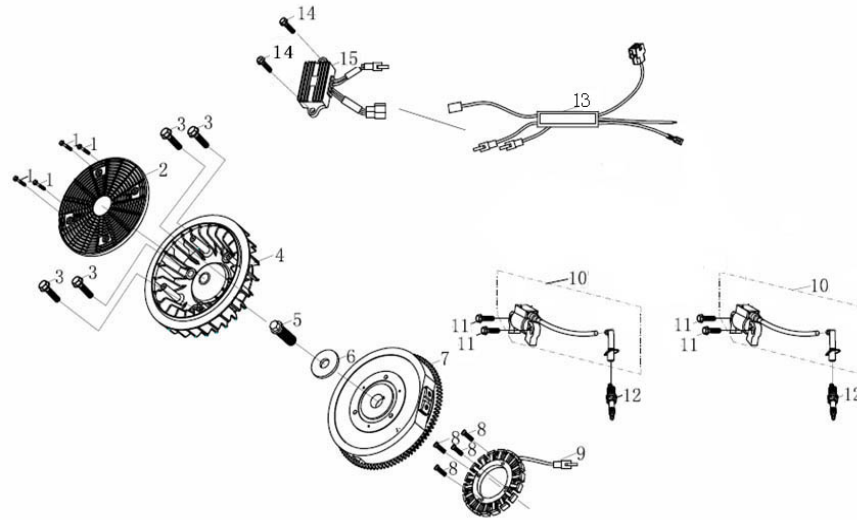
箱体 (Crankcase)

序号	零部件图号	零部件名称	Description	规格状态	数量	单位	易损属性
No.	Part No.				Reqd. QTY	UNIT	CONSUMABLE GRADE
1	171630013-0001	调速臂	Speed regulating arm	T390;	1	件/PIECES	B
2	380450559-0001	平垫圈	Flat washer	T370_内径8_外径16_厚度0.5;镀蓝白锌	2	件/PIECES	C
3	380650339-0001	油封	Oil seal	T110_d=8_D=14_b=4;	1	件/PIECES	B
4	381350004-0001	销夹	Pin clip	T040_调速臂用;	1	件/PIECES	B
5	110850012-0001	呼吸槽密封垫	PACKING, BREATHER CHAMBER	T390;	1	件/PIECES	A
6	110840013-0001	呼吸槽盖板	CAP, BREATHER CHAMBER	T390;	1	件/PIECES	C
7	380140013-0005	六角头法兰面螺栓	Hexagon bolt with flange	GB/T 5789_M6_L=16;镀蓝白锌Q16	8	件/PIECES	C
8	174560002-0001	过滤块	Filter block		1	件/PIECES	A
9	380140067-0003	六角头法兰面螺栓	Hexagon bolt with flange	GB/T 5789_M6_L=12;镀蓝白锌Q16	1	件/PIECES	C
10	140250008-0001	簧片阀	Leaf valve	T390;	1	件/PIECES	B
11	380840443-0001	密封圈	Seal ring	T370_D=11.7_d=2.5_丙稀酸脂;	2	件/PIECES	A
12	380600123-0001	定位销	ocation pin	T370_d=10_L=12;	2	件/PIECES	C
13	110810124-0001	曲轴箱体	Crankcase body	T410_无孔;	1	件/PIECES	B
14	380650337-0001	油封	Oil seal	T110_d=35_D=52_b=7;	1	件/PIECES	B



气缸头组件 (Cylinder Head)

序号	零部件图号	零部件名称	Description	规格状态	数量	单位	易损属性
No.	Part No.				Reqd. QTY	UNIT	CONSUMABLE GRADE
1	120550003-0001	吊耳	Lifting eye	T390_B;	1	件/PIECES	C
2	380140103-0004	六角头法兰面螺栓	Hexagon bolt with flange	GB/T 5789_M6_L=25;镀蓝白锌Q16	8	件/PIECES	C
3	120220025-0001	气缸头盖组合	Cylinder head cover assy	T390;	2	件/PIECES	C
4	380940461-0001	线夹	Cable cleat	T390_油门拉索线夹;	1	件/PIECES	B
5	120250023-0001	气缸头盖密封垫	Gasket for cylinder head	T390;	2	件/PIECES	A
6	160190036-0001	空气导流罩	air deflector	T390_左;	1	件/PIECES	C
7	380140455-0001	六角头法兰面螺栓	Hexagon bolt with flange	T390_M10×1.25_L=70_缸头连接螺栓;镀蓝	6	件/PIECES	C
8	380140456-0001	六角头法兰面螺栓	Hexagon bolt with flange	T390_M10×1.25_L=50_缸头连接螺栓;镀蓝	4	件/PIECES	C
9	120080741-0001	气缸头	Cylinder head	T390_左气缸头,优化结构;	1	件/PIECES	B
10	380600129-0001	定位销	ocation pin	T130_d=12_L=15;	4	件/PIECES	C
11	170430106-0001	化油器密封垫	Carburetor gasket	T390_不含石棉纸垫_进气管密封垫;	2	件/PIECES	A
12	120150149-0001	气缸头密封垫	Gasket for cylinder head	T410_石墨;	2	件/PIECES	A
13	380180116-0001	双头螺栓	Stud	T52K_M6_L=106;镀蓝白锌Q16	4	件/PIECES	C



飞轮/点火器线圈 (Flywheel/Coil Assy.)

序号	零部件图号	零部件名称	Description	规格状态	数量	单位	易损属性
No.	Part No.				Reqd. QTY	UNIT	CONSUMABLE GRADE
1	380140049-0003	六角头法兰面螺栓	Hexagon bolt with flange	GB/T 5789_M5_L=16;镀黑锌Q10	4	件/PIECES	C
2	160850001-0001	叶轮罩	Impeller cover	T390;	1	件/PIECES	B
3	380140451-0001	六角头法兰面螺栓	Hexagon bolt with flange	GB/T 5789_M8_L=20_S=12;镀蓝白锌Q16	4	件/PIECES	C
4	160180020-0001	叶轮	Impeller	T390;	1	件/PIECES	B
5	380140457-0001	六角头法兰面螺栓	Hexagon bolt with flange	T390_M12×1.25_L=35_飞轮螺栓;镀蓝白锌Q16	1	件/PIECES	C
6	380450702-0001	平垫圈	Flat washer	T390_内径13_外径38_厚度3.5;氧化Q07	1	件/PIECES	C
7	270020290-0001	磁电机转子部件	FLYWHEEL COMP	T400_调整齿倒角;	1	件/PIECES	B
8	380190039-0005	内六角螺钉	Socket head screw	GB/T 70.1_M6_L=25;镀蓝白锌Q16	4	件/PIECES	C
9	270190054-0001	充电线圈部件	Components of charging c	T400_B款;白色骨架	1	件/PIECES	B
10	270920354-0002	点火线圈	COIL ASSY., IGNNTION	T400_抗干扰_橡胶火花塞帽;B款	1	套/SETS	B
11	380140086-0002	六角头法兰面螺栓	Hexagon bolt with flange	GB/T 5789_M6_L=22;镀蓝白锌Q16	4	件/PIECES	C
12	270960046-0001	火花塞	Spark plug	RN9YC;	2	件/PIECES	A
13	271280133-0001	连接线	Connecting wire	T390_尼龙端子;	1	件/PIECES	A
14	380140013-0005	六角头法兰面螺栓	Hexagon bolt with flange	GB/T 5789_M6_L=16;镀蓝白锌Q16	2	件/PIECES	C
15	271930021-0001	整流器	Rectifier	T390_尼龙端子;	1	件/PIECES	B



隆鑫通用动力股份有限公司

Loncin motor co., Ltd.

详细地址：重庆市九龙坡区九龙工业园区华龙大道99号

Add:No.99Hualong Road,Jiulongpo District,Chongqing,China

Tel:86 23 8980 5678/86 23 8980 8505

Fax:86 23 8906 7566

Email:service@loncinengine.com

Website:www.loncinengine.com

PRINTED IN CHINA